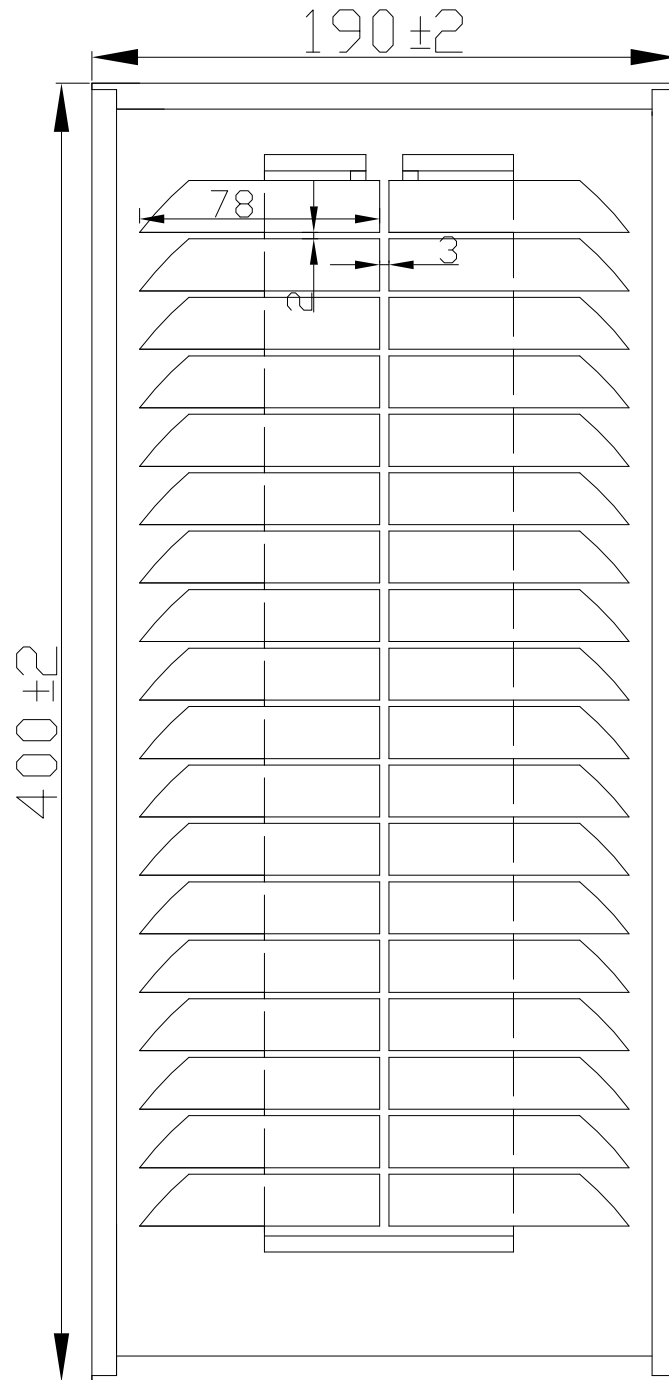


Ningbo Huasheng Solar Energy Sources Industry Co.,Ltd
PV Module Performances
(Test condition: 1000W/m², AM1.5, 25°C)

Type		HS-5-36-78X12-M
Silicon		MONO-crystalline silicon
Parameters		
Maximum Power	Watt	5
Production Tolerance		±5%
Maximum Power voltage	V	17.2
Maximum Power current	A	0.29
Open circuit voltage	V	21.8
Short circuit current	A	0.32
Cell efficiency	%	14
Module efficiency	%	6.57
size of modul (wide and high)		400mm x190mm
frame (typ, material and thickness)		Anodised Alu. alloy frame,20mm thickness
number of cells		36pcs
size of cells (wide and high)		78mmx12mm
Weight per piece	Kg	1.05
type of junction box		PV junction box
cable type and length, connector typ		Nothing
maximum system voltage		600V
Temperature coefficient of Isc		+0.05%/°C
Temperature coefficient of Voc		-0.34%/°C
Temperature coefficient of power		-0.5%/°C
Temperature coefficient of Im		+0.05%/°C
Temperature coefficient of Vm		-0.34%/°C
NOCT (Nominaloperating cell temperature)		47°C(±2°C)
Wind Bearing		60m/s(200kg/sq.m)
Impact Resistance Hail Impact Test		227g steel ball fall down from 1m height
Quality guarantee		2 years product warranty and 20 years -20% of power
FF(%)		68%---72%
Packing		
Ningbo huasheng solar energy sources Industry Co., Ltd		3 pages page 1

Product model	HS-5-36-78X12-M	Solar cell module	contract number	
Production date			delivery date	



Note:

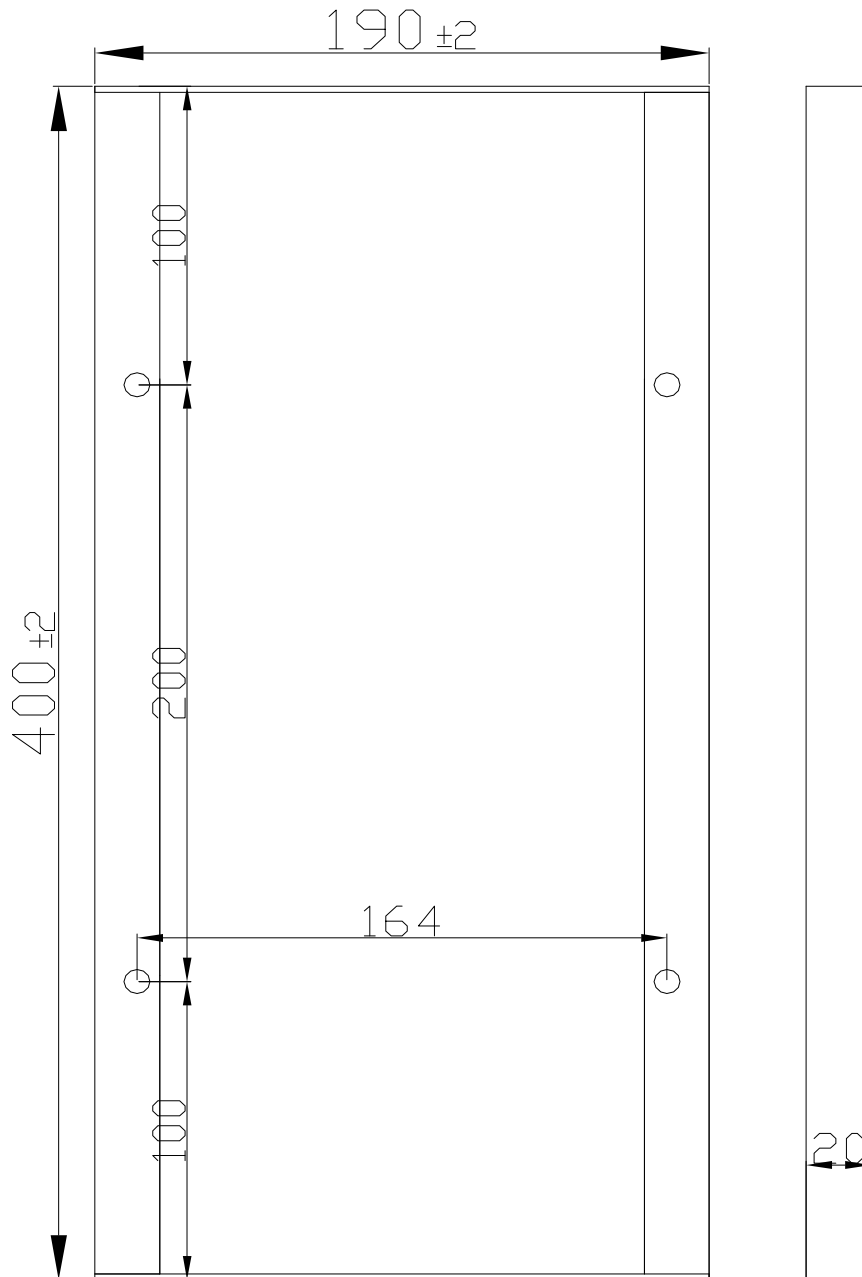
Glass Size: $395 \pm 1 \times 185 \pm 1$

Exterior Size: $400 \pm 2 \times 190 \pm 2 \times 20$

Power: 5W

drawing	Wuyufei	2009-3-19	audit	Lihaiyang	2009-3-19
proofreading	Yanjinxue	2009-3-19	approval	Chenxuejun	2009-3-19

Product model	HS-5-36-78X12-M	Solar cell module	contract number	
Production date			delivery date	



Note:

Glass Size: $395 \pm 1 \times 185 \pm 1$

Exterior Size: $400 \pm 2 \times 190 \pm 2 \times 20$

Power: 5W

drawing	Wuyufei	2009-3-19	audit	Lihaiyang	2009-3-19
proofreading	Yanjinxue	2009-3-19	approval	Chenxuejun	2009-3-19